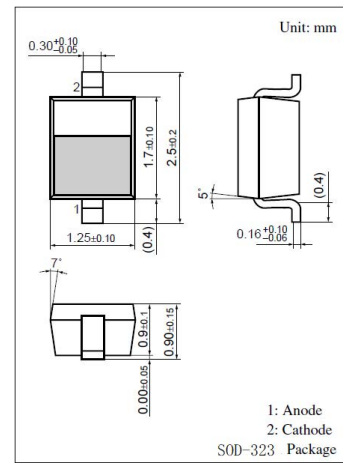


Variable Capacitance Diodes

Features

- Excellent linearity
- Hing Capacitance ratio: $C_{1V}/C_{4V} > 6.2$
- Low series resistance: $r_s \leq 0.6 \Omega$
- Package: SOD-323



Marking Symbol: A0

Maximum ratings

| Parameter | Symbol | Rating | | Unit |
|--------------------------------|-----------|--------|-----|------|
| | | Min | Max | |
| Assignment Temperature Range | T_{amb} | -55 | 100 | °C |
| Storage Temperature Range | T_{atg} | -55 | 125 | °C |
| Maximum Reverse voltage | V_{RM} | | 10 | V |
| Junction Temperature | T_j | | 125 | °C |
| Forward voltage ($I_F=20mA$) | V_F | | 1 | V |
| Reverse voltage | V_R | | 28 | V |

Electrical Characteristics (at $T_{amb}=25^\circ C$)

| Parameter | Symbol | Test Conditions | Min | Typ | Max | Unit |
|-------------------|-----------|------------------------|-------|------|------|----------|
| Diode capacitance | C_1 | $V_{R1}=2V$ | 14.11 | | 17 | PF |
| Diode capacitance | C_2 | $V_{R2}=25v$ | 2.05 | | 2.5 | PF |
| Capacitance ratio | C_1/C_2 | $V_{R1}=1V, V_{R2}=4V$ | 6.2 | | | |
| Reverse Current | I_R | $V_R=28V$ | | | 10 | nA |
| Forward Voltage | V_F | $I_F=20mA$ | | | 1 | V |
| Series resistance | r_s | $F=470MHz, C_0=14pF$ | | 0.45 | 0.60 | Ω |

