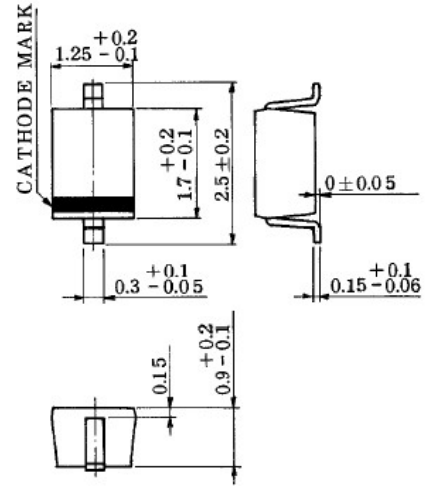


## VARIABLE CAPACITANCE DIODE SILICON EPITAXIAL PLANAR TYPE

### VCO FOR UHF BAND RADIO

- Ultra Low Series Resistance :  $r_s = 0.2\Omega$  (Typ.)
- Useful for Small Size Set



Weight : 0.004g

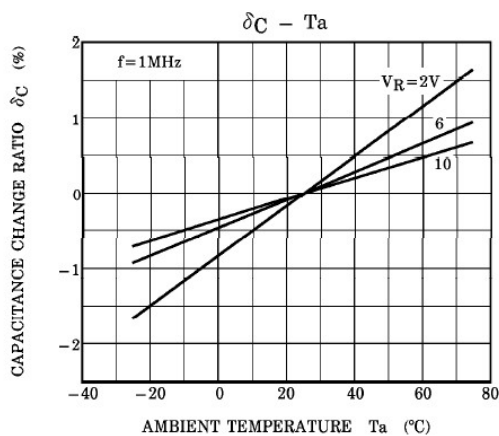
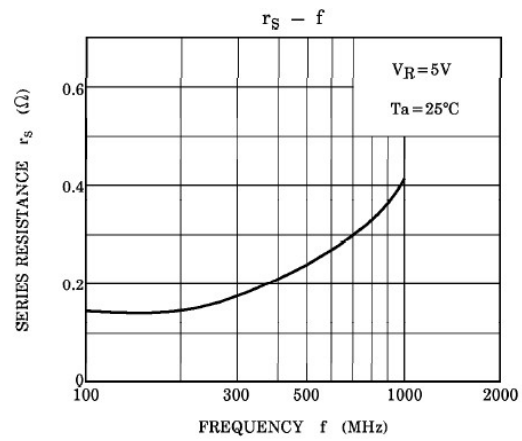
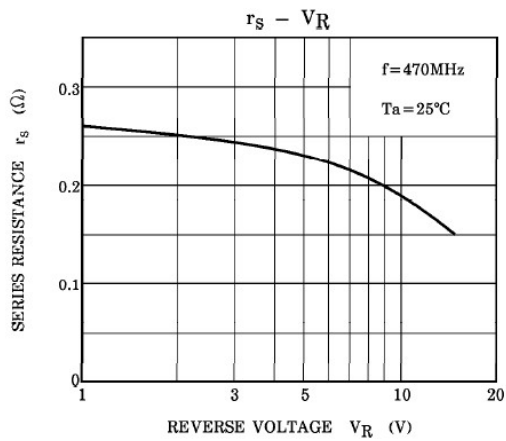
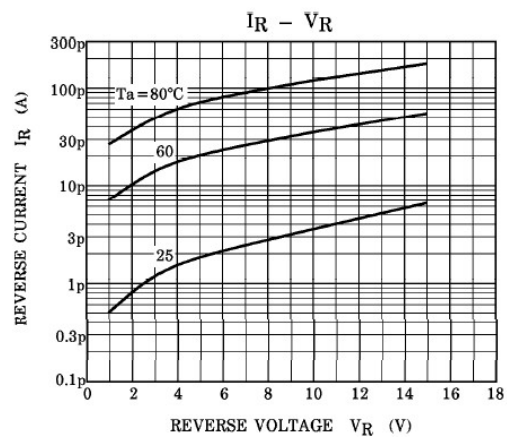
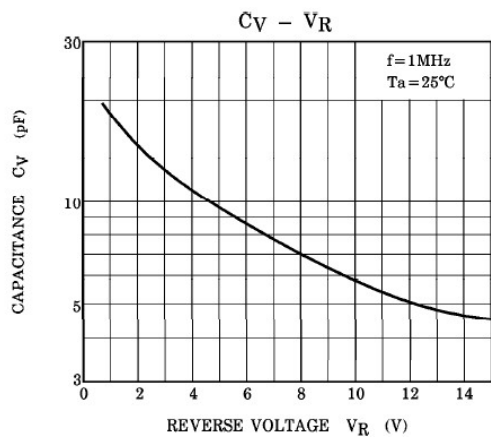
Unit in mm

### MAXIMUM RATINGS (Ta = 25°C)

CHARACTERISTIC	SYMBOL	RATING	UNIT
Reverse Voltage	$V_R$	15	V
Junction Temperature	$T_j$	125	°C
Storage Temperature Range	$T_{stg}$	-55~125	°C

### ELECTRICAL CHARACTERISTICS (Ta = 25°C)

CHARACTERISTIC	SYMBOL	TEST CONDITION	MIN.	TYP.	MAX.	UNIT
Reverse Voltage	$V_R$	$I_R = 1\mu A$	15	—	—	V
Reverse Current	$I_R$	$V_R = 15V$	—	—	5	nA
Capacitance	$C_{2V}$	$V_R = 2V, f = 1MHz$	14	15	16	pF
Capacitance	$C_{10V}$	$V_R = 10V, f = 1MHz$	5.5	6	6.5	pF
Capacitance Ratio	$C_{2V} / C_{10V}$	—	2.0	2.5	—	—
Series Resistance	$r_s$	$V_R = 5V, f = 470MHz$	—	0.2	0.4	$\Omega$



$$\text{NOTE : } \delta C (\%) = \frac{C(T_a) - C(25^\circ\text{C})}{C(25^\circ\text{C})} \times 100$$