

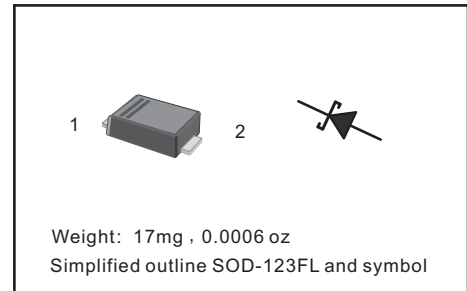
Trench MOS Barrier Schottky

Features

- Low power loss, high efficiency
- High current capability
- low forward voltage drop
- For use in low voltage

PINNING

PIN	DESCRIPTION
1	Cathode
2	Anode



Maximum Ratings and Electrical characteristics

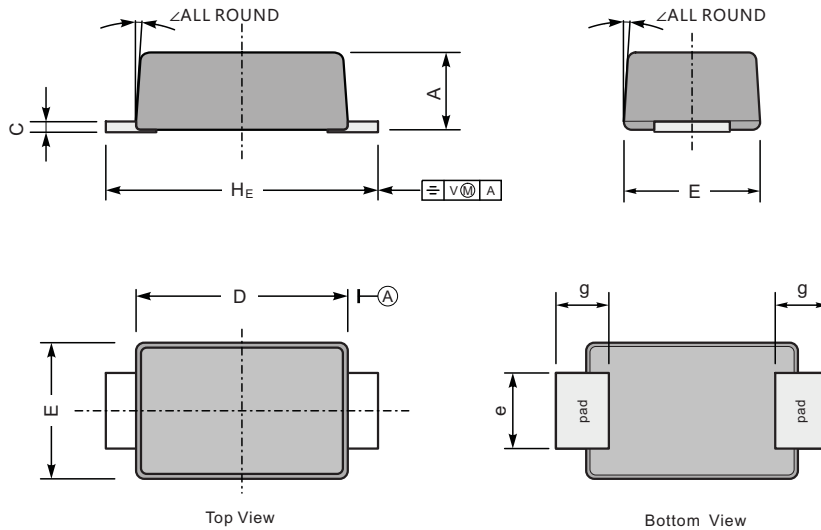
Ratings at 25 °C ambient temperature unless otherwise specified.

Parameter	Symbol	Spec. Limit			Unit
		Min.	Typ.	Max.	
Max. Repetitive Peak Reverse Voltage @0.5mA	V_{RRM}	45	50		V
Max. Average Forward Rectified Current	$I_{F(AV)}$			3	A
Forward Voltage Drop	V_F		0.340 0.380 0.410	0.430	V
$I_F=1A$ $I_F=2A$ $I_F=3A$					
Max. Reverse Current at V_{RRM} @45V	I_R		80	200	μA
Operating Temperature Range	T_J	-55		+125	$^{\circ}C$
Storage Temperature Range	T_{STG}	-55		+150	$^{\circ}C$

PACKAGE OUTLINE

Plastic surface mounted package; 2 leads

SOD123FL



UNIT		A	C	D	E	e	g	H_E	\angle
mm	max	1.1	0.20	2.9	1.9	1.1	0.9	3.8	7°
	min	0.9	0.12	2.6	1.7	0.8	0.7	3.5	
mil	max	43	7.9	114	75	43	35	150	
	min	35	4.7	102	67	31	28	138	

The recommended mounting pad size

