

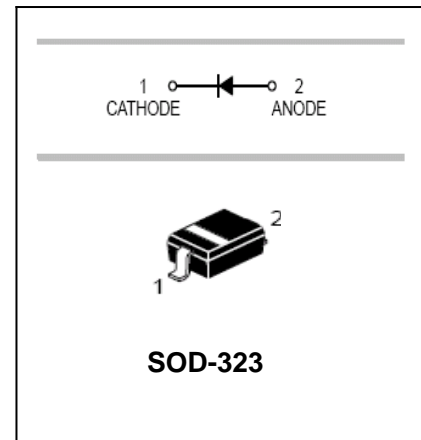
Surface mounting schottky Diode

FEATURES

- Small Surface Mounting Type:
SOD-323
- Low V_F .
- Low I_R

APPLICATIONS

- Surface mount schottky diode



MAXIMUM RATING @ $T_a=25^\circ\text{C}$ unless otherwise specified

Parameter	Symbol	Limits	Unit
Non-Repetitive Peak reverse voltage	V_{RM}	45	V
DC Reverse Voltage	V_R	40	V
Peak forward Current	I_{FSM}	1	A
Average Rectified Output Current	I_O	100	mA
Junction temperature	T_j	125	$^\circ\text{C}$
Storage temperature	T_{STG}	-55~+125	$^\circ\text{C}$

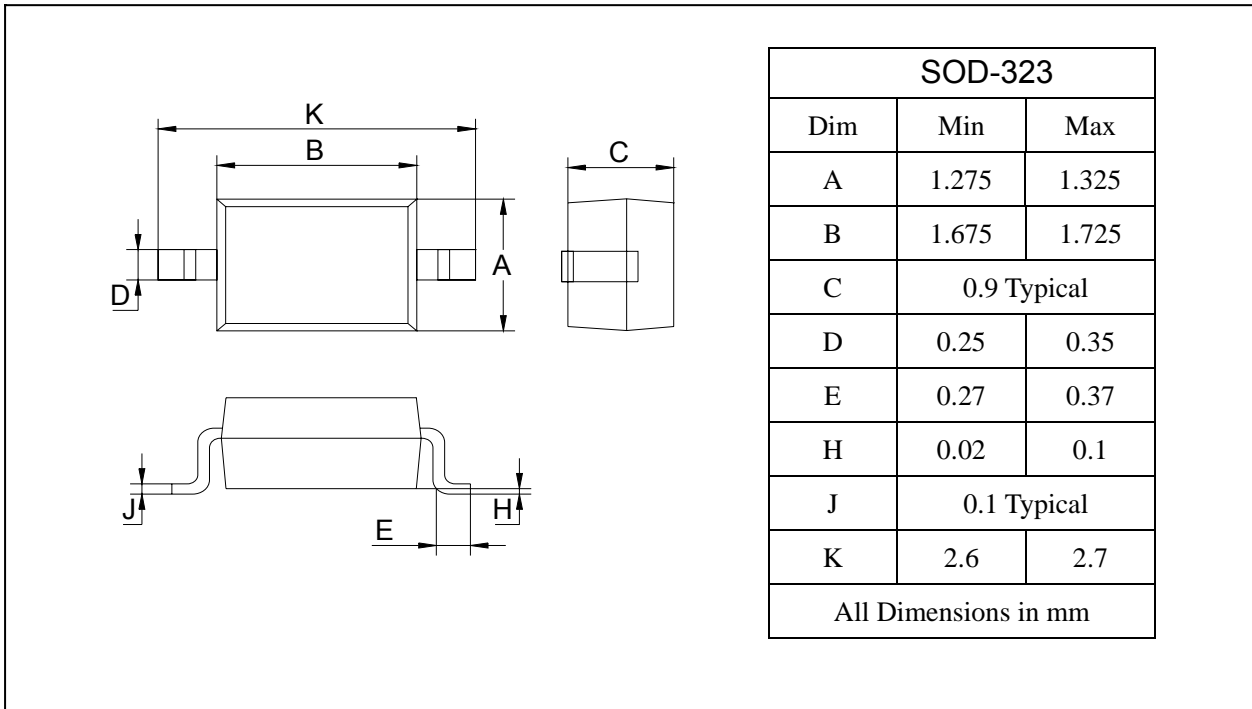
ELECTRICAL CHARACTERISTICS @ $T_a=25^\circ\text{C}$ unless otherwise specified

Parameter	Symbol	Min.	Typ.	Max.	Unit	Conditions
Forward voltage	V_F			0.28	V	$I_F=1\text{mA}$
				0.36		$I_F=10\text{mA}$
				0.60		$I_F=100\text{mA}$
Reverse current	I_R			5	μA	$V_R=40\text{V}$
Capacitance between terminals	C_T			25	pF	$V_R=0\text{V}, f=1\text{MHz}$

PACKAGE OUTLINE

Plastic surface mounted package

SOD-323



SOLDERING FOOTPRINT

